



FEROGLIDE

Self lubricating bearings

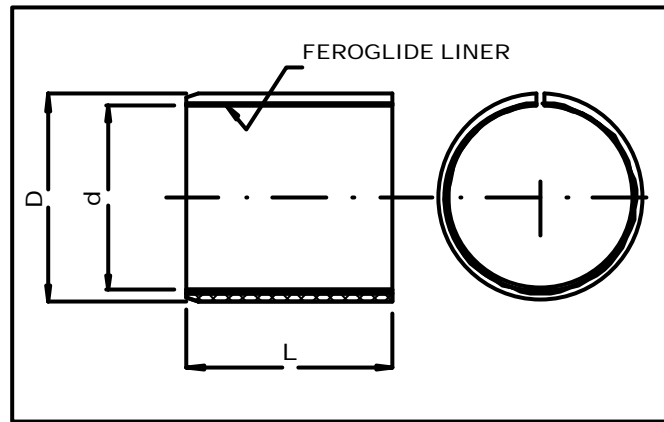
STANDARD SIZES

Special sizes and materials are available on request

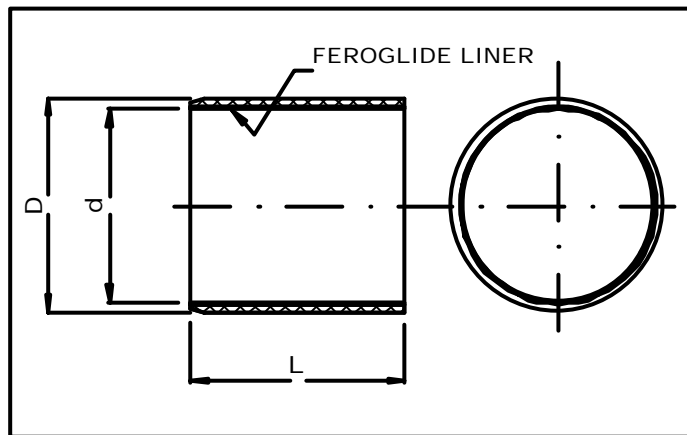


FEROGLIDE products

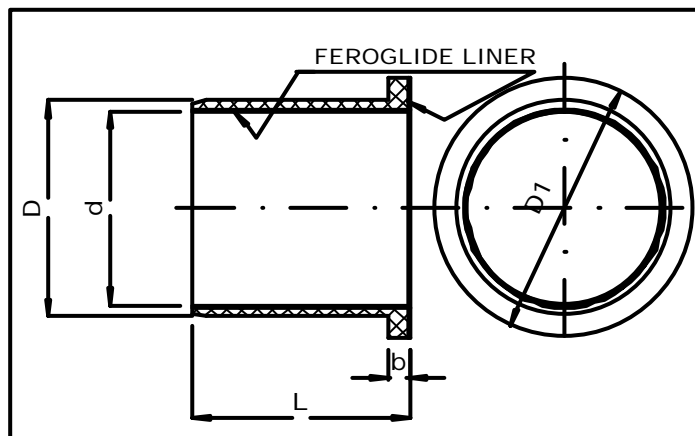
PA1 Journal Bearings coiled, pages 4 - 6



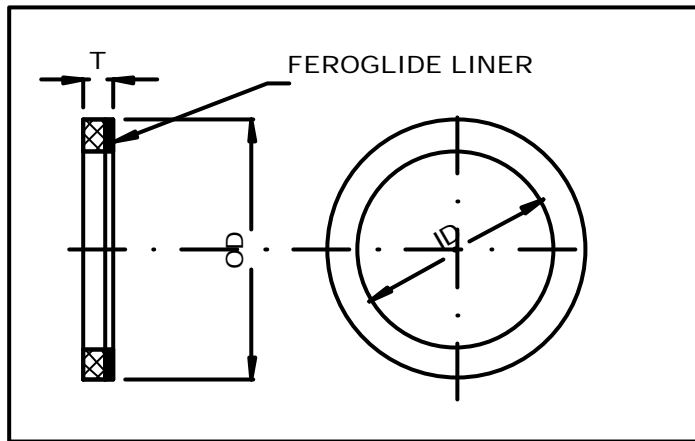
PA7 Journal bearings solid, pages 7 - 9



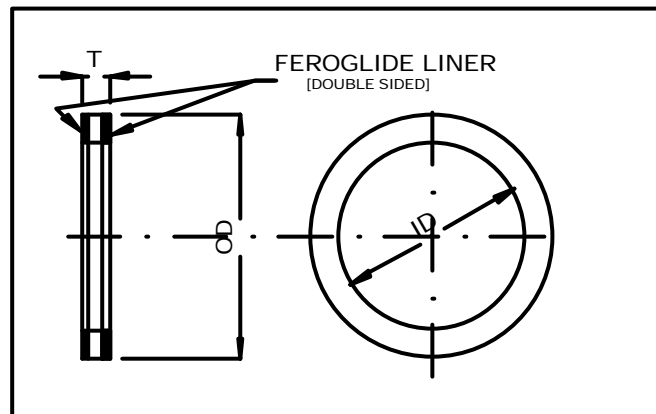
PA8 Flanged journal bearings, page 10



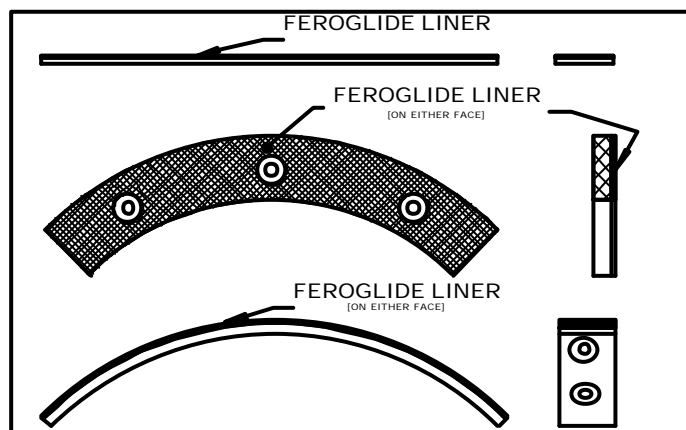
PA3 Thrust washers, metal backed, page 11



PC3 Thrust washers, double sided phenolic backed, page 12



Glide strips, page 13

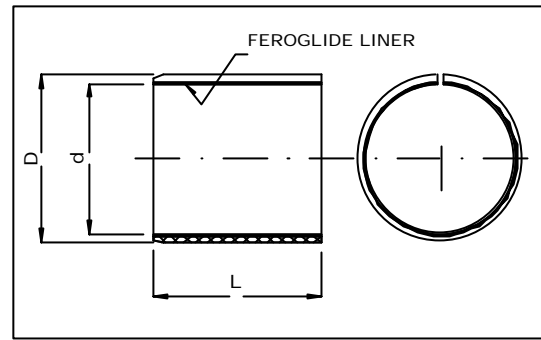


FEROGLIDE

PA1 JOURNAL BEARINGS COILED

Standard Backing Metals:

- 1) Zinc coated mild steel
- 2) Stainless Steel (AISI 316)
- 3) Inconel 625



Sizes and Tolerances to DIN1494

Inner diameter tolerance H10 when installed in housing. Parts maybe out of round in their free state.

Dash No.	Inner d	Outer D	Length L	Weight g
P-A1-08.08	8	10	8	1.7
P-A1-08.10	8	10	10	2.1
P-A1-08.12	8	10	12	2.5
P-A1-10.08	10	12	8	2.0
P-A1-10.10	10	12	10	2.5
P-A1-10.12	10	12	12	2.9
P-A1-10.15	10	12	15	3.8
P-A1-10.20	10	12	20	5.3
P-A1-12.08	12	14	8	2.0
P-A1-12.10	12	14	10	3.0
P-A1-12.12	12	14	12	3.7
P-A1-12.15	12	14	15	4.7
P-A1-12.20	12	14	20	6.1
P-A1-12.25	12	14	25	7.6
P-A1-13.10	13	15	10	3.2
P-A1-14.10	14	16	10	3.6
P-A1-14.15	14	16	15	5.4
P-A1-14.20	14	16	20	7.1
P-A1-15.10	15	17	10	3.8
P-A1-15.12	15	17	12	4.5
P-A1-15.15	15	17	15	5.7
P-A1-15.20	15	17	20	7.6
P-A1-15.25	15	17	25	9.4
P-A1-16.10	16	18	10	4.0
P-A1-16.12	16	18	12	4.8
P-A1-16.15	16	18	15	6.1
P-A1-16.20	16	18	20	8.1
P-A1-16.25	16	18	25	10.1
P-A1-18.15	18	20	15	6.7
P-A1-18.20	18	20	20	8.9
P-A1-18.25	18	20	25	11.1
P-A1-20.10	20	23	10	7.5
P-A1-20.15	20	23	15	11.6
P-A1-20.20	20	23	20	15.1
P-A1-20.25	20	23	25	19.1
P-A1-20.30	20	25	30	23.0
P-A1-22.15	22	25	15	12.2
P-A1-22.20	22	25	20	16.4
P-A1-22.25	22	25	25	20.5
P-A1-22.30	22	25	30	24.7
P-A1-24.15	24	27	15	13.1
P-A1-24.20	24	27	20	17.5

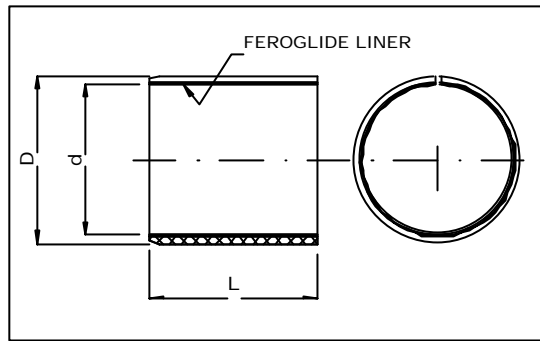
FEROGLIDE

PA1 JOURNAL BEARINGS COILED

Standard Backing Metals:

- 1) Zinc coated mild steel
- 2) Stainless Steel (AISI 316)
- 3) Inconel 625

Sizes and Tolerances to DIN1494



Inner diameter tolerance H10 when installed in housing. Parts maybe out of round in their free state.

Dash No.	Inner d	Outer D	Length L	Weight g
P-A1-24.25	24	27	25	21.9
P-A1-24.30	24	27	30	26.3
P-A1-25.15	25	28	15	13.1
P-A1-25.20	25	28	20	18.3
P-A1-25.25	25	28	25	22.9
P-A1-25.30	25	28	30	27.6
P-A1-25.50	25	28	50	46.0
P-A1-28.20	28	32	20	27.7
P-A1-28.30	28	32	30	41.9
P-A1-30.15	30	34	15	22.4
P-A1-30.20	30	34	20	29.6
P-A1-30.25	30	34	25	37.0
P-A1-30.30	30	34	30	44.7
P-A1-30.40	30	34	40	59.7
P-A1-32.20	32	36	20	31.4
P-A1-32.30	32	36	30	47.5
P-A1-32.40	32	36	40	63.5
P-A1-35.20	35	39	20	34.2
P-A1-35.30	35	39	30	51.6
P-A1-35.40	35	39	40	68.4
P-A1-35.50	35	39	50	86.5
P-A1-40.20	40	44	20	38.8
P-A1-40.30	40	44	30	58.6
P-A1-40.40	40	44	40	77.6
P-A1-40.50	40	44	50	98.2
P-A1-45.20	45	50	20	55.1
P-A1-45.30	45	50	30	83
P-A1-45.40	45	50	40	111
P-A1-45.50	45	50	50	139
P-A1-50.20	50	55	20	62
P-A1-50.30	50	55	30	93
P-A1-50.40	50	55	40	123
P-A1-50.60	50	55	60	185
P-A1-55.40	55	60	40	137
P-A1-55.60	55	60	60	202
P-A1-60.30	60	65	30	109
P-A1-60.40	60	65	40	149
P-A1-60.60	60	65	60	220
P-A1-60.70	60	65	70	265
P-A1-65.50	65	70	50	198
P-A1-65.70	65	70	70	277
P-A1-70.40	70	75	40	170
P-A1-70.50	70	75	50	212

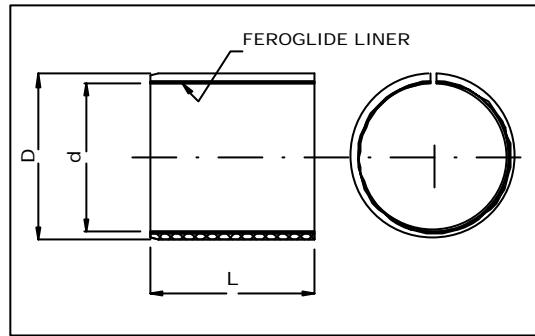
FEROGLIDE

PA1 JOURNAL BEARINGS COILED

Standard Backing Metals:

- 1) Zinc coated mild steel
- 2) Stainless Steel (AISI 316)
- 3) Inconel 625

Sizes and Tolerances to DIN1494



Inner diameter tolerance H10 when installed in housing. Parts maybe out of round in their free state.

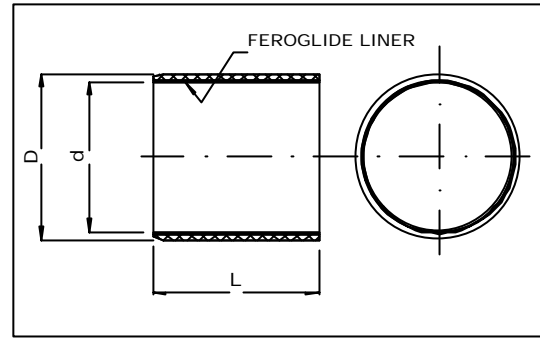
Dash No.	Inner d	Outer D	Length L	Weight g
P-A1-70.70	70	75	70	298
P-A1-75.60	75	80	60	272
P-A1-75.80	75	80	80	364
P-A1-80.60	80	85	60	288
P-A1-80.100	80	85	100	433
P-A1-85.60	85	90	60	306
P-A1-85.100	85	90	100	512
P-A1-90.60	90	95	60	323
P-A1-90.100	90	95	100	541
P-A1-95.60	95	100	60	341
P-A1-95.100	95	100	100	570
P-A1-100.60	100	105	60	358
P-A1-100.115	100	105	115	724
P-A1-105.60	105	110	60	370
P-A1-105.115	105	110	115	724
P-A1-110.60	110	115	60	393
P-A1-110.115	110	115	115	758
P-A1-115.50	115	120	50	342
P-A1-115.70	115	120	70	480
P-A1-120.60	120	125	60	428
P-A1-120.100	120	125	100	717
P-A1-125.100	125	130	100	746
P-A1-130.60	130	135	60	463
P-A1-130.100	130	135	100	775
P-A1-135.60	135	140	60	481
P-A1-135.80	135	140	80	643
P-A1-140.60	140	145	60	493
P-A1-140.100	140	145	100	834
P-A1-150.60	150	155	60	533
P-A1-150.80	150	155	80	713
P-A1-150.100	150	155	100	892
P-A1-160.80	160	165	80	776
P-A1-160.100	160	165	100	970
P-A1-180.100	180	185	100	1082
P-A1-200.100	200	205	100	1220
P-A1-220.100	220	225	100	1320

FEROGLIDE

PA7 JOURNAL BEARINGS

Backing Metals:

- 1) Mild steel
- 2) Stainless Steel (AISI 316)
- 3) Bronze RG7 & GBZ12



Inner Diameter is in the free state. For fitted bore and mating housing and shaft details see TENMAT Ltd FEROGLIDE Technical Manual.

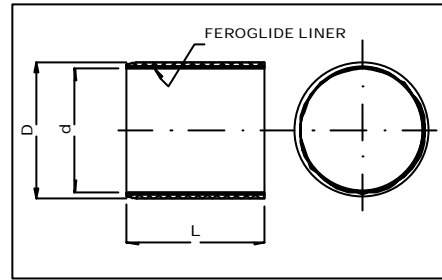
Dash No.	Inner Dia. d G8	Outer Dia. D p6	Length L +/-0.3mm
P-A7-10.10	10	14	10
P-A7-12.12	12	16	12
P-A7-14.14	14	18	14
P-A7-16.10	16	20	10
P-A7-16.16	16	20	16
P-A7-18.12	18	22	12
P-A7-18.18	18	22	18
P-A7-20.16	20	25	16
P-A7-20.20	20	25	20
P-A7-22.16	22	26	16
P-A7-22.22	22	26	22
P-A7-25.20	25	30	20
P-A7-25.25	25	30	25
P-A7-28.22	28	34	22
P-A7-28.28	28	34	28
P-A7-30.25	30	36	25
P-A7-30.32	30	36	32
P-A7-35.28	35	42	28
P-A7-35.35	35	42	35
P-A7-36.28	36	42	28
P-A7-36.36	36	42	36
P-A7-40.32	40	48	32
P-A7-40.40	40	48	40
P-A7-45.36	45	52	36
P-A7-45.45	45	52	45
P-A7-50.40	50	58	40
P-A7-50.50	50	58	50
P-A7-60.50	60	70	50
P-A7-60.60	60	70	60
P-A7-70.56	70	80	56
P-A7-70.70	70	80	70
P-A7-75.63	75	85	63
P-A7-75.75	75	85	75

FEROGLIDE

PA7 JOURNAL BEARINGS THIN WALLED

Backing Metals:

- 1) Mild steel
- 2) Stainless Steel (AISI 316)
- 3) Bronze RG7 & GBZ12



Inner Diameter is in the free state. For fitted bore and mating housing and shaft details see TENMAT Ltd FEROGLIDE Technical Manual.

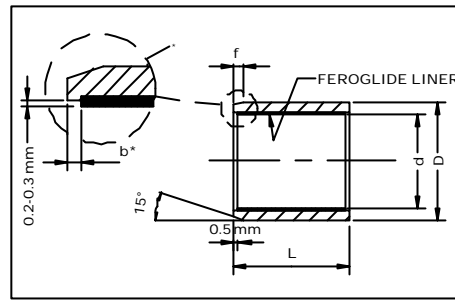
Dash No.	Inner Dia. d G8	Outer Dia. D p6	Length L +/-0.3mm
P-A7-10.10	10	13	10
P-A7-12.15	12	15	15
P-A7-16.25	16	19	25
P-A7-20.30	20	23	30
P-A7-25.30	25	28	30
P-A7-30.20	30	34	20
P-A7-30.40	30	34	40
P-A7-35.30	35	39	30
P-A7-35.50	35	39	50
P-A7-40.30	40	44	30
P-A7-40.50	40	44	50
P-A7-45.30	45	50	30
p-A7-45.50	45	50	50
P-A7-50.40	50	55	40
P-A7-50.60	50	55	60
P-A7-55.40	55	60	40
P-A7-55.60	55	60	60
P-A7-70.40	70	75	40
P-A7-70.80	70	75	80

FEROGLIDE

PA7 JOURNAL BEARINGS LARGE SERIES

Backing Metals:

- 1) Mild steel
- 2) Stainless Steel (AISI 316)
- 3) Bronze RG7 & GBZ12



* Undercut design only upon special request on one or both ends (e.g. for guidevane bearings). Inner Diameter is in the free state. For fitted bore and mating housing and shaft details see TENMAT Ltd FEROGLIDE Technical Manual.

inner diameter [d] 80-315mm bore tolerance G8
inner diameter [d] >316 mm bore tolerance G9

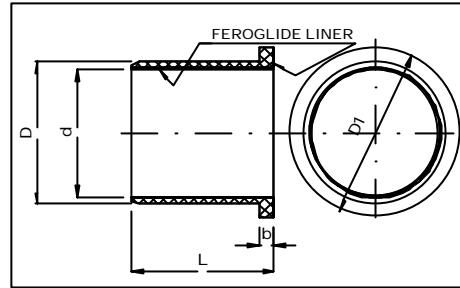
Dash No.	d	D p6	L +/-0.3	f	b*	Dash No.	d	D p6	L +/-0.3	f	b*
P-A7-80.50	80	90	50	1.0	1.5	P-A7-200.120	200	220	120	1.6	3
P-A7-80.63	80	90	63	1.0	1.5	P-A7-200.160	200	220	160	1.6	3
P-A7-85.50	85	95	50	1.0	1.5	P-A7-210.120	210	230	120	2.0	4
P-A7-85.70	85	95	70	1.0	1.5	P-A7-210.180	210	230	180	2.0	4
P-A7-90.56	90	100	56	1.0	1.5	P-A7-220.120	220	240	120	2.0	4
P-A7-90.70	90	100	70	1.0	1.5	P-A7-220.180	220	240	180	2.0	4
P-A7-95.56	95	105	56	1.0	1.5	P-A7-230.120	230	250	120	2.0	4
P-A7-95.80	95	105	80	1.0	1.5	P-A7-230.180	230	250	180	2.0	4
P-A7-100.63	100	110	63	1.0	1.5	P-A7-240.140	240	260	140	2.0	4
P-A7-100.80	100	110	80	1.0	1.5	P-A7-240.200	240	260	200	2.0	4
P-A7-105.63	105	115	63	1.0	2.0	P-A7-250.140	250	270	140	2.0	4
P-A7-105.80	105	115	63	1.0	2.0	P-A7-250.200	250	270	200	2.0	4
P-A7-110.63	110	120	63	1.0	2.0	P-A7-260.155	260	280	155	2.5	4
P-A7-110.90	110	120	90	1.0	2.0	P-A7-260.210	260	280	210	2.5	4
P-A7-115.70	115	127	70	1.0	2.0	P-A7-280.170	280	300	170	2.5	4
P-A7-115.90	115	127	90	1.0	2.0	P-A7-280.225	280	300	225	2.5	4
P-A7-120.70	120	132	70	1.0	2.0	P-A7-300.180	300	320	180	2.5	4
P-A7-120.100	120	132	100	1.0	2.0	P-A7-300.240	300	320	240	2.5	4
P-A7-125.80	125	137	80	1.2	2.0	P-A7-320.190	320	350	190	2.5	5
P-A7-125.100	125	137	100	1.2	2.0	P-A7-320.250	320	350	250	2.5	5
P-A7-130.80	130	145	80	1.2	2.0	P-A7-350.210	350	380	210	2.5	5
P-A7-130.100	130	145	100	1.2	2.0	P-A7-350.280	350	380	280	2.5	5
P-A7-135.80	135	150	80	1.2	2.0	P-A7-400.240	400	430	240	3.0	5
P-A7-135.110	135	157	110	1.2	2.0	P-A7-400.320	400	430	320	3.0	5
P-A7-140.80	140	155	80	1.2	2.0	P-A7-450.270	450	480	270	3.0	6
P-A7-140.110	140	155	110	1.2	2.0	P-A7-450.360	450	480	360	3.0	6
P-A7-145.90	145	160	90	1.2	2.0	P-A7-500.300	500	540	300	4.0	6
P-A7-145.120	145	160	120	1.2	2.0	P-A7-500.400	500	540	400	4.0	6
P-A7-150.90	150	165	90	1.2	2.0	P-A7-550.330	550	590	330	5.0	6
P-A7-150.120	150	165	120	1.2	3.0	P-A7-550.440	550	590	440	5.0	6
P-A7-160.100	160	175	100	1.2	3.0	P-A7-600.360	600	640	360	6.0	6
P-A7-160.120	160	175	120	1.2	3.0	P-A7-600.480	600	640	480	6.0	6
P-A7-170.100	170	185	100	1.6	3.0	P-A7-650.390	650	690	390	8.0	6
P-A7-170.140	170	185	140	1.6	3.0	P-A7-650.520	650	690	520	8.0	6
P-A7-180.110	180	200	110	1.6	3.0	P-A7-700.420	700	740	420	10.0	6
P-A7-180.140	180	200	140	1.6	3.0	P-A7-700.560	700	740	560	10.0	6
P-A7-190.110	190	210	110	1.6	3.0						
P-A7-190.160	190	210	160	1.6	3.0						

FEROGLIDE

PA8 FLANGED JOURNAL BEARINGS

Backing Metals:

- 1) Mild steel
- 2) Stainless Steel (AISI 316)
- 3) Bronze RG7 & GBZ12



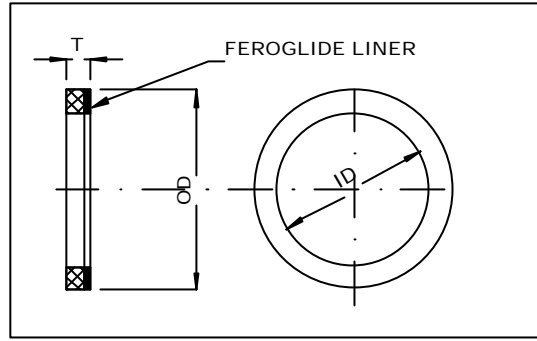
Inner diameter is in the free state. For fitted bore and mating housing and shaft details see TENMAT Ltd FEROGLIDE Technical Manual.

Dash No.	Inner Dia D G8	Outer Dia D p6	Length L +/-0.2	Dia D ₁ +0/-0.25	Flange Dia b+/-0.1	Flange Thickness
P-A8-10.10	10	14	10	22	3	
P-A8-12.12	12	16	12	25	3	
P-A8-14.14	14	18	14	26	3	
P-A8-16.16	16	20	16	28	3	
P-A8-18.12	18	22	12	32	3	
P-A8-18.18	18	22	18	32	3	
P-A8-20.20	20	25	20	32	3	
P-A8-22.16	22	26	16	34	3	
P-A8-22.22	22	26	22	34	3	
P-A8-25.20	25	30	20	38	3	
P-A8-25.25	25	30	25	38	3	
P-A8-28.22	28	34	22	42	3	
P-A8-28.28	28	34	28	42	3	
P-A8-30.25	30	36	25	44	3	
P-A8-30.32	30	36	32	44	3	
P-A8-32.25	32	38	25	48	4	
P-A8-32.32	32	38	25	48	4	
P-A8-35.28	35	42	28	50	4	
P-A8-35.35	35	42	35	50	4	
P-A8-36.28	36	42	28	52	4	
P-A8-36.36	36	42	36	52	4	
P-A8-40.32	40	48	32	58	4	
P-A8-40.40	40	48	40	58	4	
P-A8-45.36	45	52	36	63	5	
P-A8-45.45	45	52	45	63	5	
P-A8-50.40	50	58	40	68	5	
P-A8-50.50	50	58	50	68	5	
P-A8-60.50	60	70	50	83	6	
P-A8-60.60	60	70	60	83	6	
P-A8-70.56	70	80	56	95	6	
P-A8-70.70	70	80	70	95	6	
P-A8-75.63	75	85	63	105	7	
P-A8-75.75	75	85	75	105	7	

FEROGLIDE

PA3 THRUST BEARINGS METAL BACKED

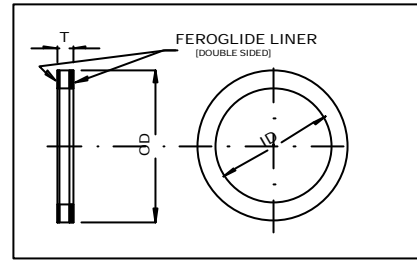
- 1) Zinc Coated Mild steel
- 2) Stainless Steel (AISI 316)
- 3) Inconel 625
- 4) Bronze RG7 & GBZ12



*Ensure suitable clearances to the shaft used in the application.

Dash No.	Inner[*] Dia, ID +0.5	Outer Dia, ODT -0.5	Thickness -0.15
P-A3-10/24	10	24	1.5
P-A3-12/26	12	26	1.5
P-A3-16/32	16	32	1.5
P-A3-18/36	18	36	1.5
P-A3-20/38	20	38	1.5
P-A3-22/40	22	40	1.5
P-A3-25/48	25	48	1.5
P-A3-28/50	28	50	1.5
P-A3-30/54	30	54	1.5
P-A3-35/62	35	62	1.5
P-A3-40/66	40	66	1.5
P-A3-45/74	45	74	2.0
P-A3-50/78	50	78	2.0
P-A3-60/88	60	88	2.0

FEROGLIDE
PC3 THRUST BEARINGS LAMINATED
PHENOLIC BACKED



Double sided thrust bearings backed by a laminated phenolic resin system.

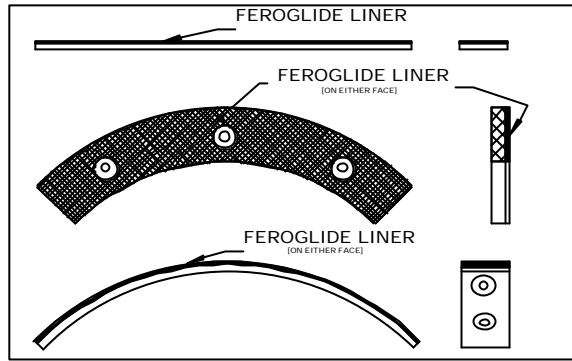
Dash No.	Shaft Dia	Inner Dia, ID +0.5	Outer Dia, ODT -0.5	Thickness +/-0.2
P-A3-10/24	10	12	24	1.1
P-A3-12/26	12	14	26	1.1
P-A3-16/32	16	18	32	1.5
P-A3-18/36	18	20	36	1.5
P-A3-20/38	20	22	38	1.5
P-A3-22/40	22	24	40	1.5
P-A3-25/48	25	28	48	1.5
P-A3-28/50	28	30	50	1.5
P-A3-30/54	30	32	54	1.5
P-A3-35/62	35	38	62	1.5
P-A3-40/66	40	42	66	1.5
P-A3-45/74	45	48	74	2.0
P-A3-50/78	50	52	78	2.0
P-A3-60/88	60	62	88	2.0

FEROGLIDE

GLIDE STRIPS

Metal backed strips (straight and curved)

- 1) Zinc Coated Mild steel
- 2) Stainless Steel (AISI 316)
- 3) Inconel 625
- 4) Bronze RG7 & GBZ12



Machined and lined shapes (e.g. vertical & horizontal control pads for Hydro-electrical applications) are available on request.

Dash No.	Length L+/-0.5	Width W+/-1.0	Thickness T+/-0.1
500		10	1
500		20	1
500		50	1
500		100	1
500		200	1
500		10	1.5
500		20	1.5
500		50	1.5
500		100	1.5
500		200	1.5
500		10	2
500		20	2
500		50	2
500		100	2
500		200	2
500		10	2.5
500		20	2.5
500		50	2.5
500		100	2.5
500		200	2.5

Length to 1 meter available on request